

Static Grounding Reels

FOR REFUELING OR HAZARDOUS AREAS

• Aircraft Refueling • Chemical Plants • Grain Elevators • Rescue and HazMat Operations

- These reels bond and/or ground aircraft, fuel trucks and other equipment.
- Provide smooth operation and require minimum cable pull.
- Declutching arbor and adjustable guide arm with cable guide.
- Optional stainless steel construction of spool, frame & ratchet system available on HGR series.
- Standard finish is oven-cured enamel.
- Also available, manual rewind version. All shown with optional cable and/or "Y" branch.

WARNING
These Reels are for Static Grounding ONLY
NOT intended for lightning protection!



Optional Grounding Jack
per MIL-C-8341D/4



Optional Browne Clamp

H/R

STATIC GROUNDING REELS

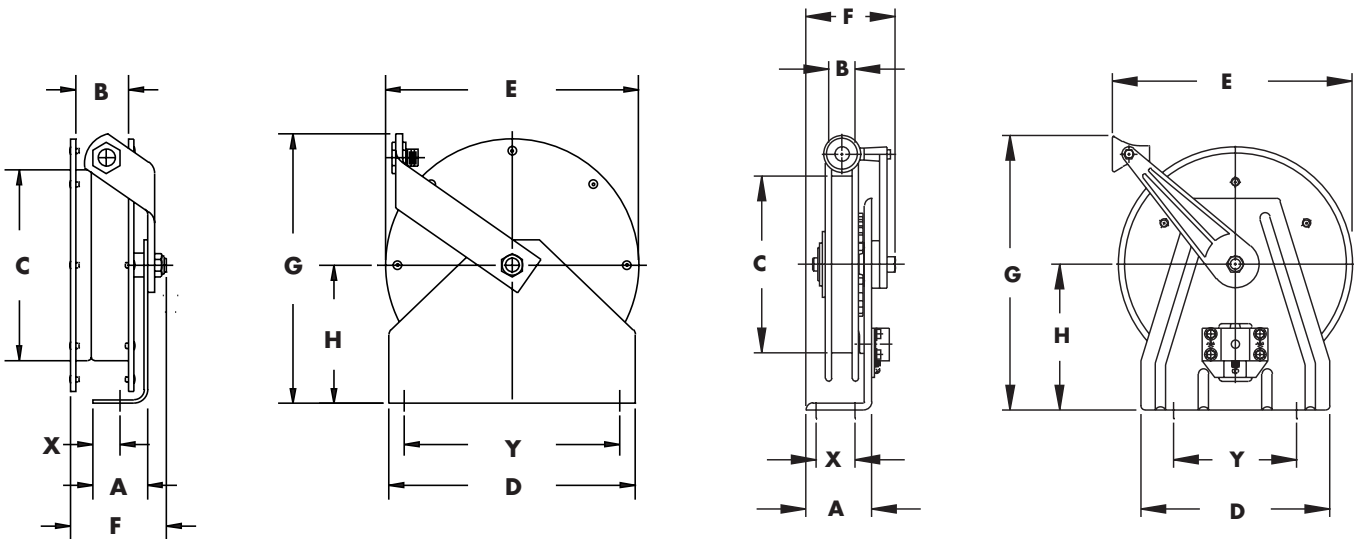
- Available with 1/8", 7x19 galvanized carbon steel cable
- 100 amp Alligator Clamp.
- Stainless steel or plastic-covered cable and "Y" branches are available at an additional charge.
- Cable guide arm of cast aluminum and 2A+12 Alum Zinc Alloy.

Series 7

- Sealed spring is a good economical choice compact and lightweight.

Series H

- A non-sparking ratchet assembly.
- Reels are repairable and parts are readily available.



Parts Drawing: H

Model Number	Cable Capacity of Reel feet m.	Approx. Weight		Reel Dimensions									
		Without cable	With cable	inches mm									
				A	B	C	D	E	F	G	H	X	Y
75	23	11	14	2	2	7	9	9.25	3.5	9.88	5.06	1	7.88
		5	6	51	51	178	229	235	89	251	129	25	200
100	30	11	13	2	2	7	9	9.25	5.25	9.88	5.06	1	7.88
		5	6	51	51	178	229	235	133	251	129	25	200
75	23	28	30	4	1.25	10.75	11.5	14.25	5.5	16.75	8.88	2.38	7.5
		13	14	102	32	273	292	362	159	425	226	60	191
200	61	18	20	4	1.25	10.75	11.5	14.25	6.25	16.75	8.88	2.38	7.5
		8	9	102	32	273	292	362	159	425	226	60	191
100	30	37	40	4	1.25	13.25	11.5	16.75	5.5	17.75	8.88	2.38	7.5
		17	18	102	32	337	292	425	140	451	226	60	191

To Order (Specify all items listed):

- Gauge, length, O.D., and coating if required
 - Specify "Y" branch if required
 - Finish if other than standard
 - Complete model number
- Reels can be shipped as a parcel package (via FedEx or UPS ground).

Jetfuelequip Sales Dept. 1-305-477 5090

sales@jetfuelequip.com <http://www.jetfuelequip.com/>